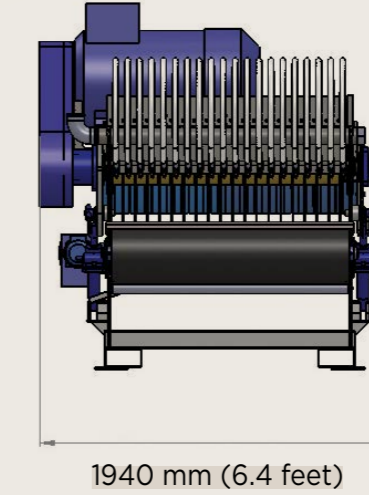
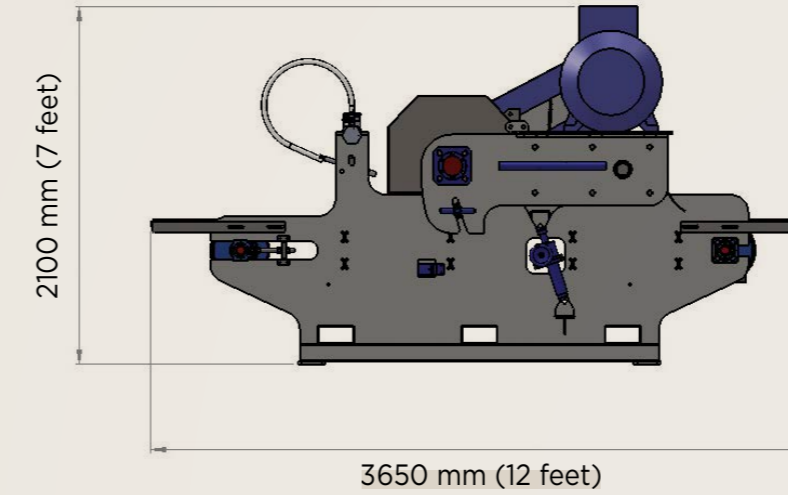
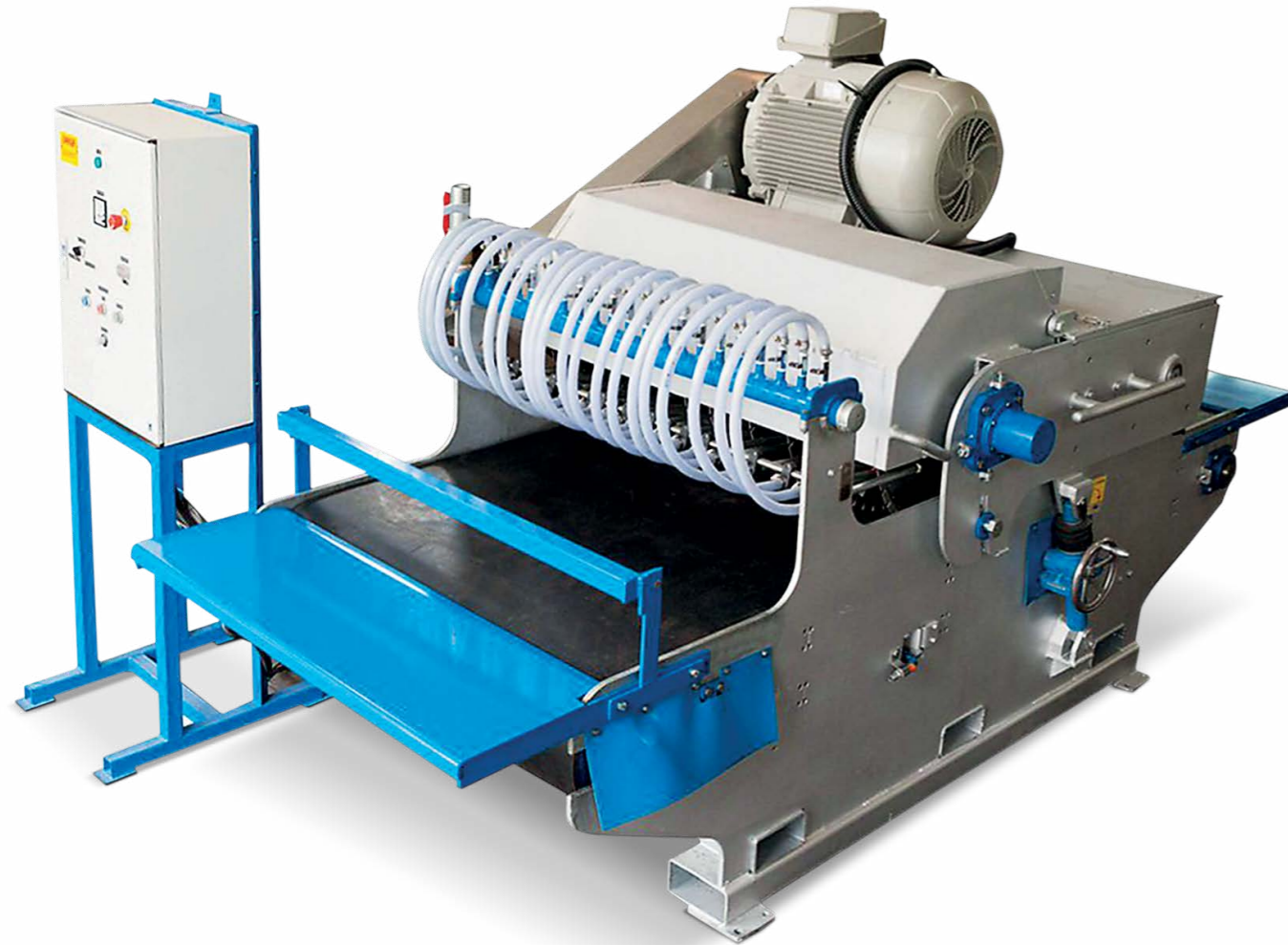


# MultiPro-Edge48

## Up to 16 Blades!

Ledge/Stack Stones, Ashlar, Pavers, Tiles, Baseboards, Cobblestones...

**Option:** 32"(800mm) Blades with 215hp motor.



MultiPro-Edge48 Technical Specifications	Imperial	Metric
Arbor Driven motor	100 HP	100 HP
Required power	135amps, 3 phase ,480 V	135amps, 3 phase ,400 V
Arbor Diameter	3.94"	100 mm
Blade diameter	20" - 24"	500mm - 600 mm
Max cutting depth	8"	200 mm
Variable conveyor speed	0 - 7 ft /min	0 - 2.1 meter/ minute
Possible Blades per Spindle	16	16
*Standard Spindle RPM	800	800
*Subjected to customer request		
Machine body	Galvanized	Galvanized
Blade Cover	Stainless Steel	Stainless Steel
water consumption	3 galon/ min - per blade	12 liter / min - per blade
Total weight approximately	11,000 lbs	5 MT