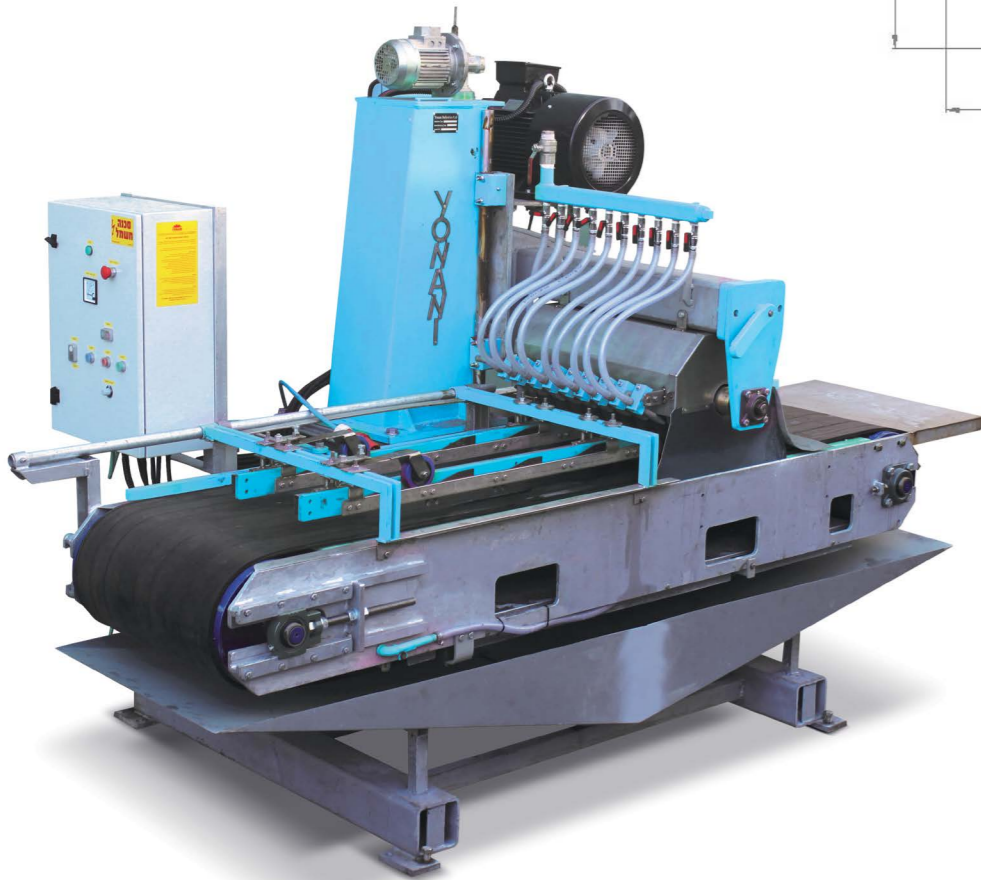
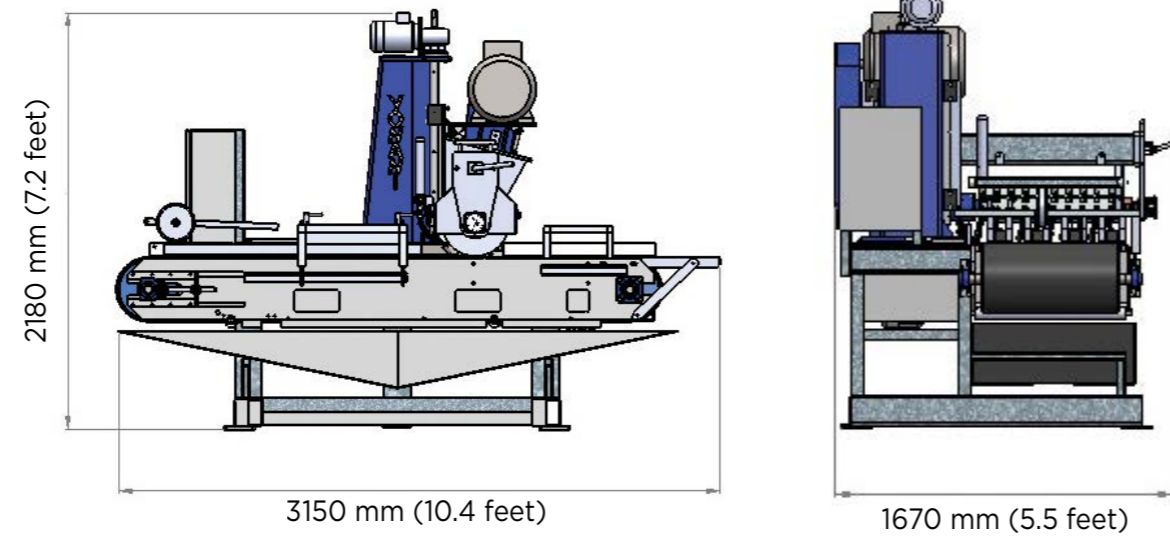


MultiBlade



Multi Blade Technical Specifications	Imperial	Metric
Arbor Driven motor	30 HP	30 HP
Required power	45amps, 3 phase ,480 V	45amps, 3 phase ,400 V
Arbor Diameter	2.36"	60 mm
Blade diameter	14"	350 mm
Max cutting depth	3.5"	89 mm
Variable conveyor speed	0 - 12 ft/min	0 - 4 meter/min
Possible Blades per Spindle	10	10
*Standard Spindle RPM	1700	1700
*Subjected to customer request		
Arbor working length	24"	600 mm
Machine body	Galvanized	Galvanized
Blade Cover	Stainless Steel	Stainless Steel
water consumption	2 galon/ min - per blade	8 liter / min - per blade
Total weight approximately	4,400 lbs	2 MT

CornerPro+

High production and big savings on blades life.

